

Specialty Ball Bearings

NICE™

Nice™ News for Authorized RBC Distributors



RBC Bearings is pleased to announce that effective immediately all Nice™ catalog items are available through RBC's authorized distribution channels throughout the United States. Details inside...

NICE™

The Nice™ Ball Bearings division of RBC Bearings is now offering catalog items directly to a newly expanded network of authorized distributors throughout the United States. For the first time, you will have direct access to the entire line of Nice™ high-quality, low-cost precision ground and semi-ground ball bearings for a cross section of industrial applications, including:

- Agricultural
- Automotive
- Canning and bottling
- Material handling
- Lawn and garden

You will also have access to RBC's outstanding technical and customer service resources — trained professionals who have been solving bearing problems for over 75 years. Nobody in the business knows more about specifying the right bearing for the job than RBC — and now you will have the benefit of that expertise.

We realize that time is money, and we have taken these critical steps to help you get the right answers... and get them fast. Nice™ products direct from Nice™ people — a win/win for you and your customers!

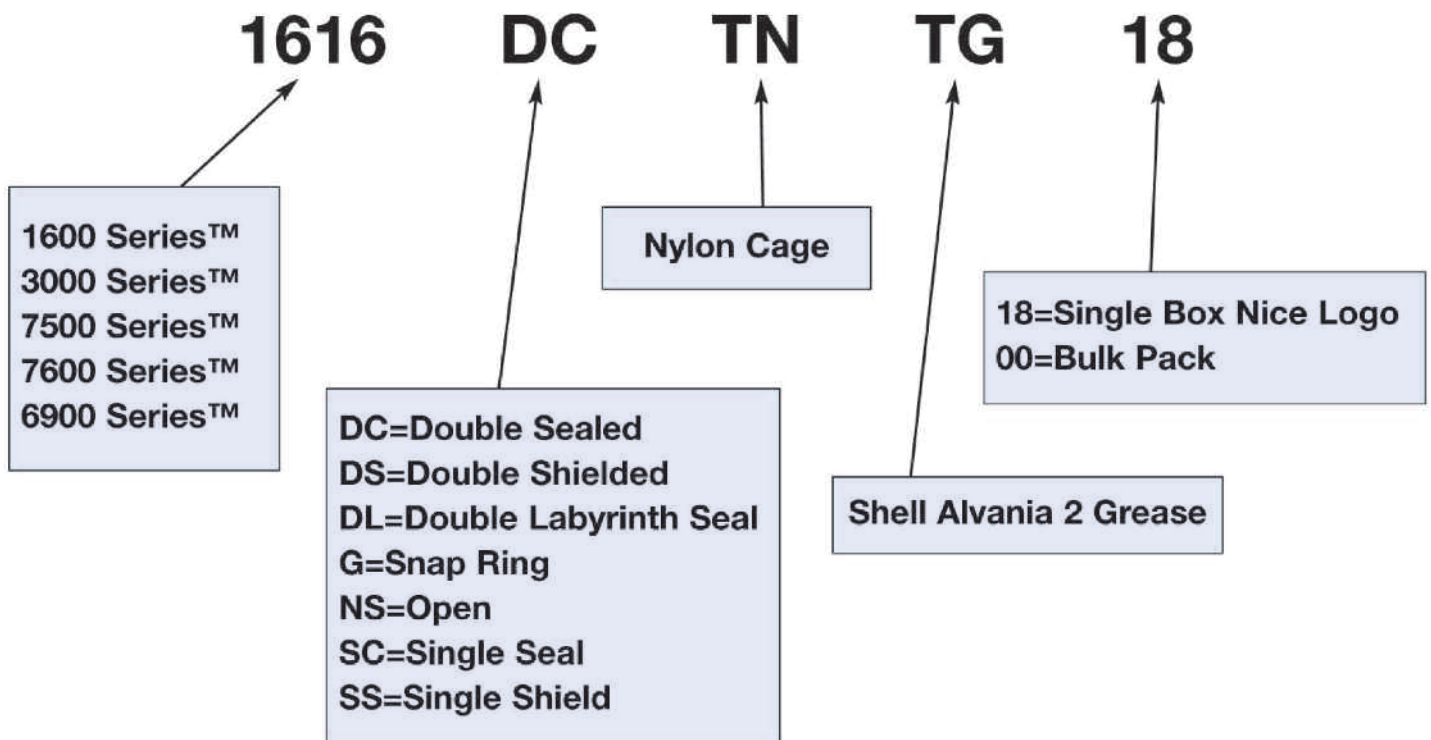


What does this mean for you?

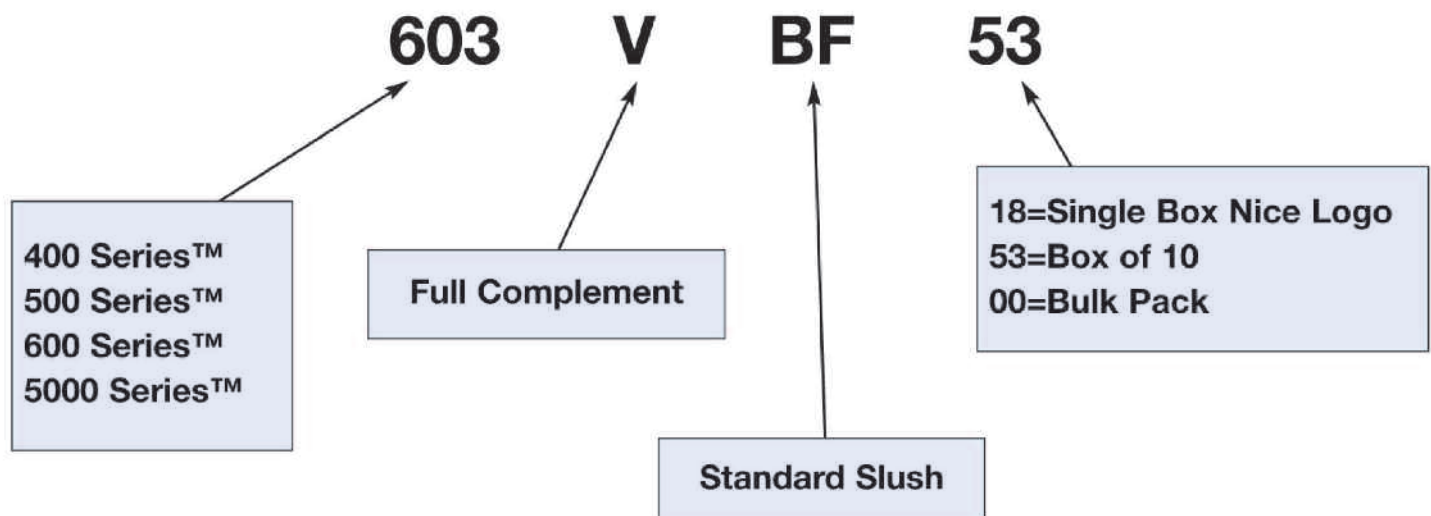
- Direct RBC field sales support at the branch level
- Improved speed of response
- Improved technical support for Nice™ brand products
- Improved engineering support for Nice™ brand products in new and existing applications
- Ability to consolidate shipments with other RBC Bearings products
- Distribution customers will now deal directly with RBC's Customer Service department. Call 800.365.6584 for up-to-date product availability and shipping information.



Ground and Semi-Ground Nomenclature



Unground Nomenclature



The series designation numbers appearing as the prefixes to the Distributor Part Number and Reference Number are considered to be trademarks of Roller Bearing Company of America, Inc.

RBC Industrial Bearings

Innovation. Commitment. Quality.

RBC Bearings Incorporated (RBC Bearings, RBC) has been producing bearings in the USA since 1919. RBC offers a full line of aerospace bearings, including unique custom configurations.



Spherical Plain Bearings

Radial, angular contact, extended inner ring, high misalignment. **QuadLube**®, **ImpactTuff**®, **SpreadLock**® Seal, **CrossLube**®, **DuraLube**™, **MillTuff**™ bearings, and self-lubricating bearings. Available in inch and metric sizes.



Rod Ends

Commercial and industrial, precision, Mil-Spec series, self-lubricating, and aircraft. Sold under the **Heim**®, **Unibal**®, and **Spherco**® brands. Available in inch and metric sizes.



Thin Section Ball Bearings

Standard cross sections to one inch. Sizes to 40 inches. Stainless steel and other materials are available. Seals are available on all sizes and standard cross sections.



Ball Bearings

Precision ground, semiground, unground. High loads, long life, smooth operation. **Nice**™ ball bearings are offered in caged and full complement configurations.



Self-Lubricating Bearings

Radial, thrust, rod ends, spherical bearings, high temperature, high loads. Available in inch and metric sizes. **Fiberglide**® self-lubricating bearings.



Cam Followers

Standard stud, heavy stud, yoke type, caged roller followers. Patented **RBC Roller**® cylindrical roller cam followers, **HexLube**® universal cam followers, airframe track rollers.



Airframe Control Bearings

Ball bearing types, self-lubricating types, needle roller track rollers.



Needle Roller Bearings

Pitchlign® caged heavy duty needle roller bearings, inner rings, **TJ TandemRoller**® bearings for long life.



Dowel Pins, Loose Needle Rollers, Shafts

Precision Products dowel pins, loose needle rollers, and shafts.



Tapered Roller and Thrust Bearings

Tyson® case-hardened and through-hardened tapered roller bearings. RBC tapered thrust bearings. Available in many sizes. Used in Class 8 heavy truck and trailer wheel bearings, gearboxes, and final drive transmissions.



Ball Screws

Precision ground, rolled, ball splines. Long life, low wear, high accuracy. **QuickTurn**® Ball Screw Repair Service.



Specials

RBC manufactures many specialty bearings for the aerospace, oil and energy, semiconductor equipment, packaging, heavy truck, and other industries.



ISO 9001:2000

www.rbcfrance.com

This document contains a general overview of the products and features described herein. It is solely for informational purposes, does not represent a warranty of the information contained herein, and is not to be construed as an offer to sell or a solicitation to buy. Contact RBC Bearings Incorporated for detailed information suitable to your specific applications. RBC Bearings Incorporated reserves the right to modify its products and related product information at any time without prior notice.

Some of the products listed herein may be covered by one or more issued and pending U.S. or foreign patents. Contact RBC Bearings for product specific information.

© 2007 RBC Bearings Incorporated

RBC 7/07