



## **Metric Series Cam Followers**

# **The Superior Advantage**

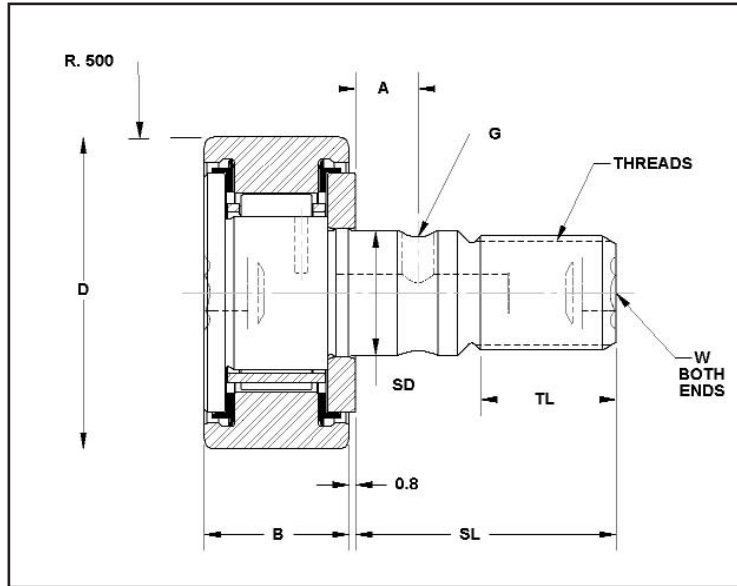


**RBC Metric Series Cam Followers with patented TJ TandemRoller® pocket design offer a higher load capacity and longer fatigue life.**



[www.rbcbearings.com](http://www.rbcbearings.com)  
800.390.3300

# Metric Series Cam Followers

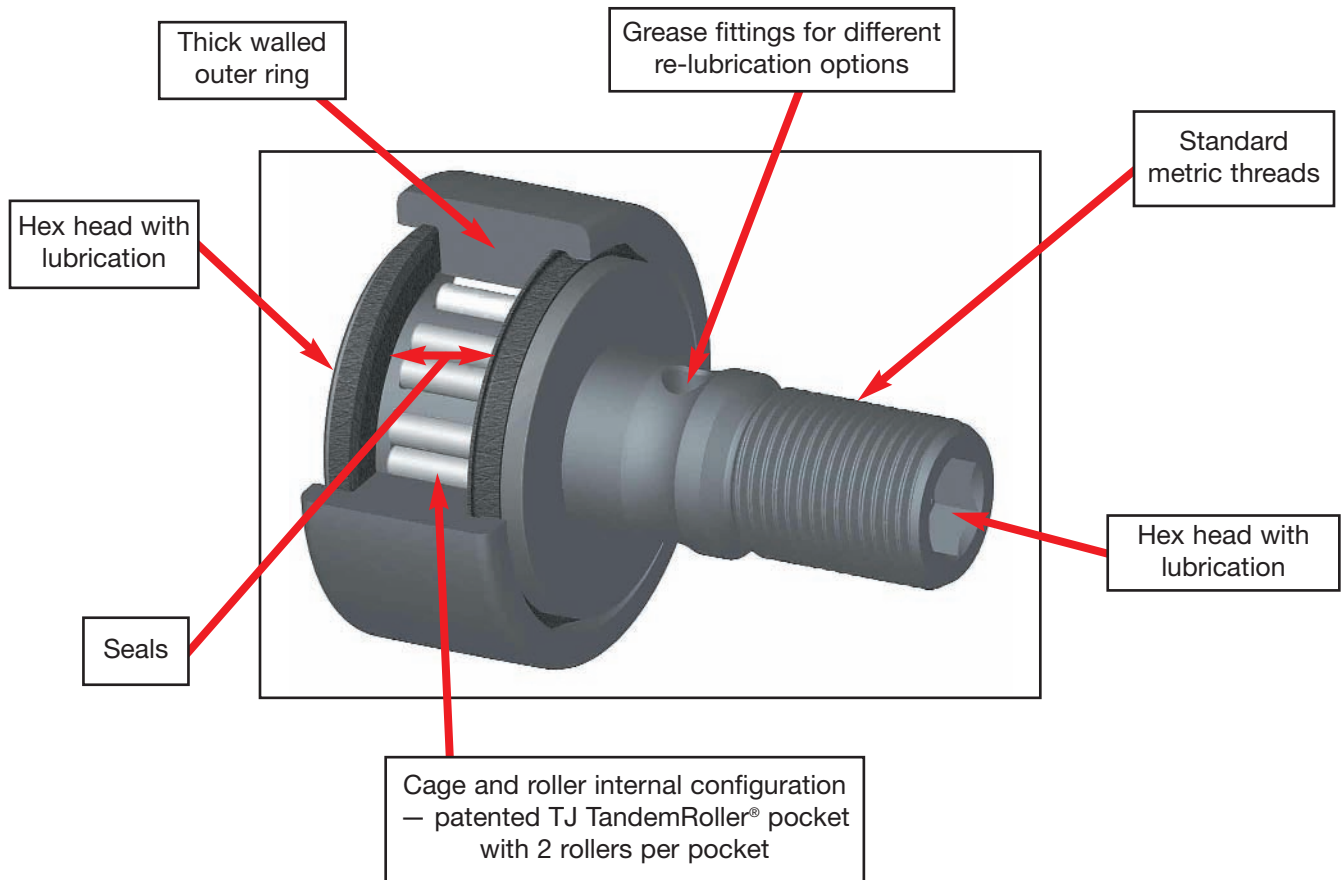


Part Number			Roller		Stud					Dimensions			
RBC Part Number	INA Reference P/N	McGill Part Number	D +0 / -0.05	B +0 / -0.12	SD +0 / -0.15	SD +0 / -0.18	SL Shank Length	TL Eff Thread Length	Thread	Approx. Weight (g)	A Loc.	G Dia	Socket Head Wrench Size (w)
CFM19	KR19PP	MCFR19SB	19	11	8	-	20	10	M8 X 1.25	29	-	-	-
CFM22	KR22PP	MCFR22SB	22	12	10	-	23	12	M10 X 1	42	-	-	5
CFM26	KR26PP	MCFR26SB	26	12	10	-	23	12	M10 X 1	57	-	-	5
CFM30	KR30PP	MCFR30SB	30	14	-	12	25	13	M12 X 1.5	86	6	3	6
CFM35	KR35PP	MCFR35SB	35	18	-	16	32.5	17	M16 X 1.5	166	8	3	8

Part Number			Capacities					Mounting Data		
RBC Part Number	INA Reference P/N	McGill Part Number	Speed Limit (rpm)	Dynamic Capacities (N)	Static Capacities (N)	Max Allow Load (N)	Track Capacity 40 RC (N)	Max Clamping Torque (Nm)	Housing Bore Tolerance H7	Min. Housing OD
CFM19	KR19PP	MCFR19SB	10000	5300	6200	4500	5100	8	0/+0.015	14
CFM22	KR22PP	MCFR22SB	8500	6200	7100	5200	5200	15	0/+0.015	17
CFM26	KR26PP	MCFR26SB	8500	6200	7100	5200	6100	15	0/+0.015	17
CFM30	KR30PP	MCFR30SB	6800	8000	9300	11500	7800	22	0/+0.018	23
CFM35	KR35PP	MCFR35SB	5000	13300	19500	12500	12500	50	0/+0.018	27

Note: Each part is supplied with 2 nuts and grease fittings.  
All dimensions are in mm.

# The Superior Advantage



Features	Benefits
Cage and roller internal configuration with seals	<ul style="list-style-type: none"> <li>• Superior roller guidance over the full complement</li> <li>• Reduces roller skewing and heat generation</li> <li>• Lower operating temperatures</li> <li>• Higher limiting speed capability</li> <li>• Longer grease life</li> </ul>
TJ TandemRoller® pocket— Two rollers per pocket	<ul style="list-style-type: none"> <li>• Developed by RBC in 1965</li> <li>• Offers 10% to 40% greater load capacity</li> <li>• And 37% to 200% greater fatigue life than equivalent sized single roller per pocket designs</li> </ul>
Grease fittings	<ul style="list-style-type: none"> <li>• Different re-lubrication options:</li> <li>• Head end lubrication of the stud</li> <li>• Thread end lubrication of the stud</li> <li>• The housing via the shank</li> </ul>
Thick walled outer ring	<ul style="list-style-type: none"> <li>• Resistant to high static and impact loads</li> <li>• Crown to reduce edge loading</li> </ul>

# Innovation. Commitment. Quality.

RBC Bearings Incorporated (RBC Bearings, RBC) has been producing bearings in the USA since 1919. In addition to unique custom bearings, RBC offers a full line of standard industrial and aerospace bearings, including:



## Spherical Plain Bearings

Radial, angular contact, extended inner ring, high misalignment. **QuadLube**®, **ImpactTuff**®, **SpreadLock**® Seal, **CrossLube**®, **DuraLube**™, **MillTuff**™ bearings, and self-lubricating bearings. Available in inch and metric sizes.



## Rod Ends

Commercial and industrial, precision, Mil-Spec series, self-lubricating, and aircraft. Sold under the **Heim**®, **Unibal**®, and **Spherco**® brands. Available in inch and metric sizes.



## Thin Section Ball Bearings

Standard cross sections to one inch. Sizes to 40 inches. Stainless steel and other materials are available. Seals are available on all sizes and standard cross sections.



## Ball Bearings

Precision ground, semi-ground, unground. High loads, long life, smooth operation. **Nice**™ ball bearings are offered in caged and full complement configurations.



## Self-Lubricating Bearings

Radial, thrust, rod ends, spherical bearings, high temperature, high loads. Available in inch and metric sizes. **Fiberglide**® self-lubricating bearings.



## Cam Followers

Standard stud, heavy stud, yoke type, caged roller followers. Patented **RBC Roller**® cylindrical roller cam followers, **HexLube**® universal cam followers, airframe track rollers.



## Airframe Control Bearings

Ball bearing types, self-lubricating types, needle roller track rollers.



## Needle Roller Bearings

**Pitchlign**® caged heavy duty needle roller bearings, inner rings, **TJ TandemRoller**® bearings for long life.



## Dowel Pins, Loose Needle Rollers, Shafts

**Precision Products** dowel pins, loose needle rollers, and shafts.



## Tapered Roller and Thrust Bearings

**Tyson**® case-hardened and through-hardened tapered roller bearings. RBC tapered thrust bearings. Available in many sizes. Used in Class 8 heavy truck and trailer wheel bearings, gearboxes, and final drive transmissions.



## Ball Screws

Precision ground, rolled, ball splines. Long life, low wear, high accuracy. **QuickTurn**® Ball Screw Repair Service.



## Specials

RBC manufactures many specialty bearings for the aerospace, oil and energy, semiconductor equipment, packaging, heavy truck, and other industries.